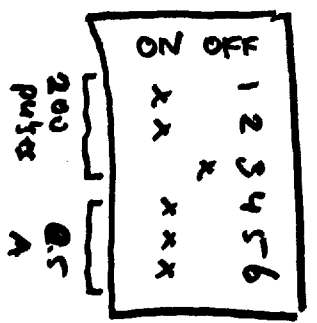
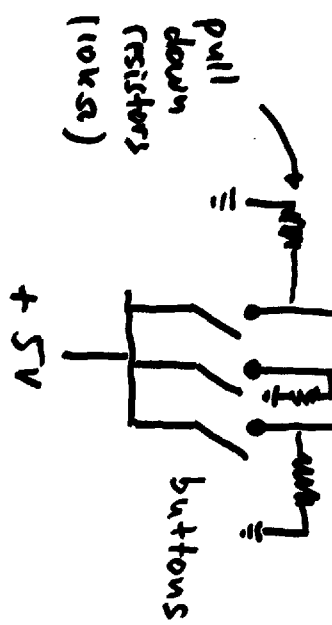
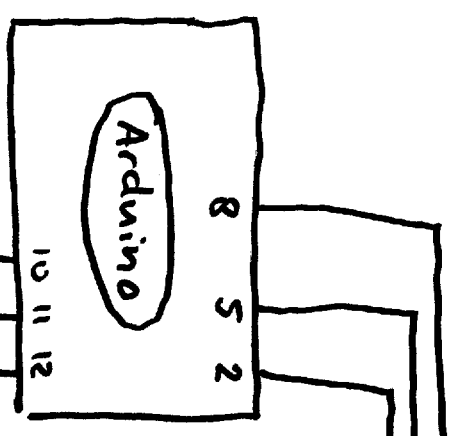


Arduino Printer Music

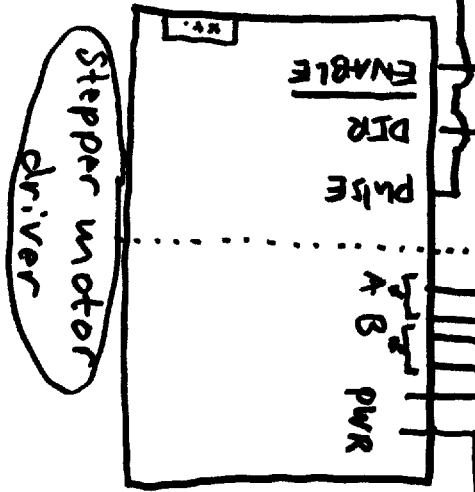
Dip switches



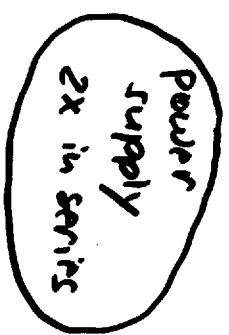
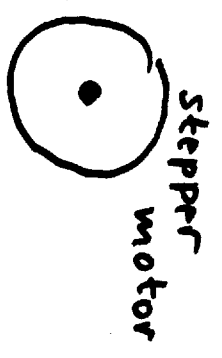
2 = pulse
 S = DIR
 8 = ENABLE



10 = play
 11 = move right
 12 = move left



Stepper motor driver



Stallinga.org