

Electronic Instrumentation

Problem sheet: VCO

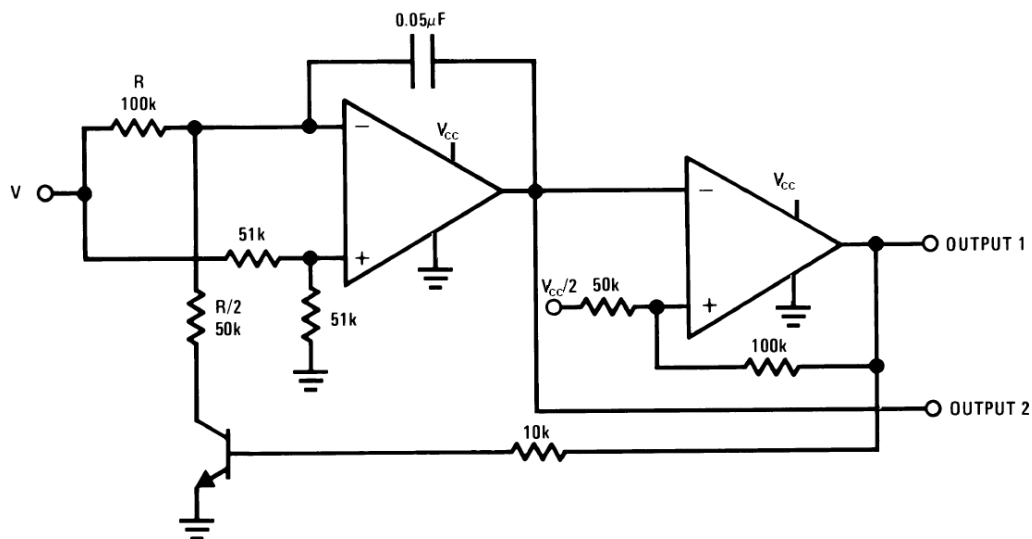
2010/2011 module 2

P. Stallinga



MIEET 3º ano

The datasheet of the LM358 shows how to make a VCO (voltage-controlled oscillator) from op-amps, see the figure below. The first op-amp works as an integrator and the second as a Schmitt Trigger.



- Explain how the circuit works.
- Determine the relation between output frequency and input voltage (V).

(see also p. 240 of Horowitz & Hill)