

Electronic Instrumentation

Problem sheet: NE555

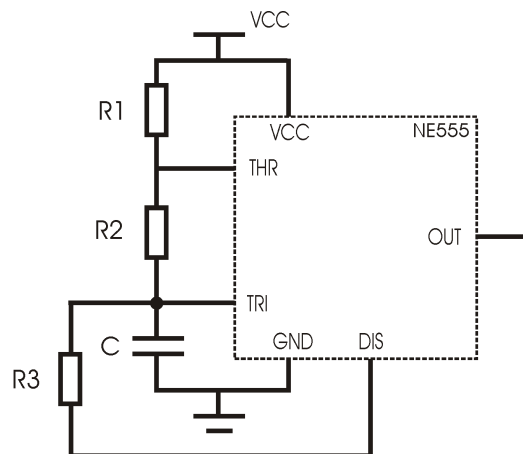
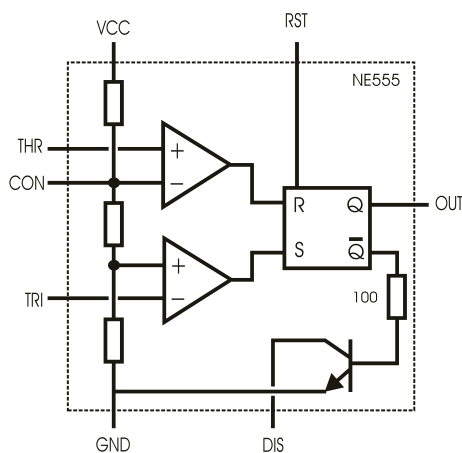
2010/2011 module 2

P. Stallinga



MIEET 3º ano

A popular timing component is the NE555 (see image below on the left), which internally is based on two comparators and a flip-flop. With this component, a multitude of useful circuits can be made.



An example is an astable circuit (resonator), which is made by placing two resistances and a capacitor in series at the entrances, which results in a periodic binary signal at the output.

- Explain how the circuit works and design a resonator operating at 1 kHz based on a NE555 IC.

(<http://www.uoguelph.ca/~antoon/gadgets/555/555.html>)