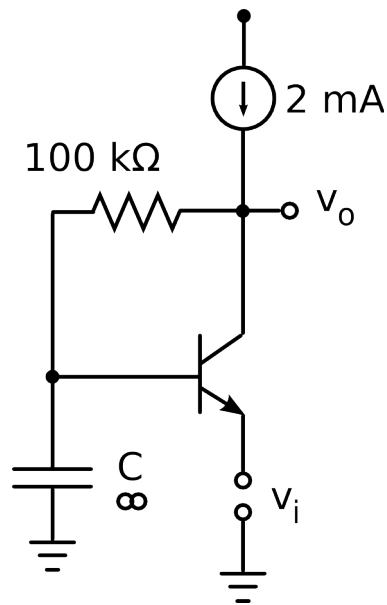


Electronics II

El. 1: BJT amplifier P. Stallinga



$\beta = 99$, $V_A = 100$ V.

- What is the name of the amplifier above?
- Calculate the bias point
- Calculate the signal gain of the circuit $A_v = v_o/v_i$
- Calculate the output resistance, r_{out}
- Calculate the input resistance, r_{in}