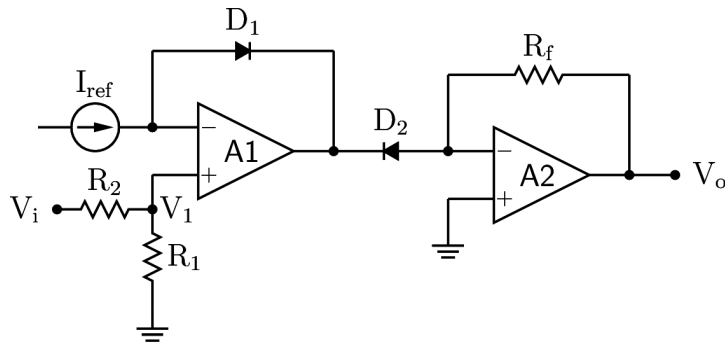


Question 1

The circuit below is a log or anti-log (exponential) amplifier based on ideal op-amps.



Determine the relation between V_o and V_i .

Question 2

The image below shows a current-source supplying a current to a circuit. What is the value of the current in terms of the parameters? (Assume $\beta = \infty$, opamp ideal).

